



**GIA**  
GEMOLOGICAL INSTITUTE OF AMERICA®

5355 Armada Drive | Carlsbad, CA 92008-4602  
T: 760-603-4500 | F: 760-603-1814

**GIA Laboratories**  
Bangkok Carlsbad Gaborone  
Johannesburg Mumbai New York

www.gia.edu

**COLORED DIAMOND GRADING REPORT**

GIA REPORT 5121069681

May 25, 2010

Shape and Cutting Style ..... **Emerald Cut**  
Measurements ..... 6.30 x 5.85 x 3.43 mm

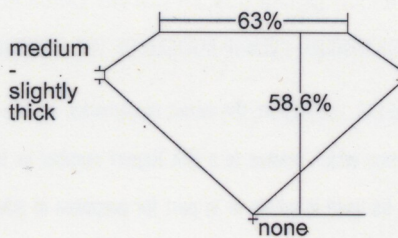
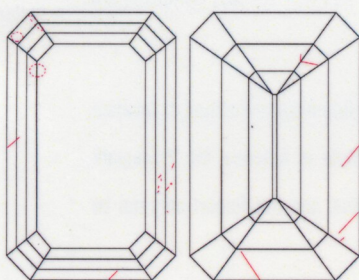
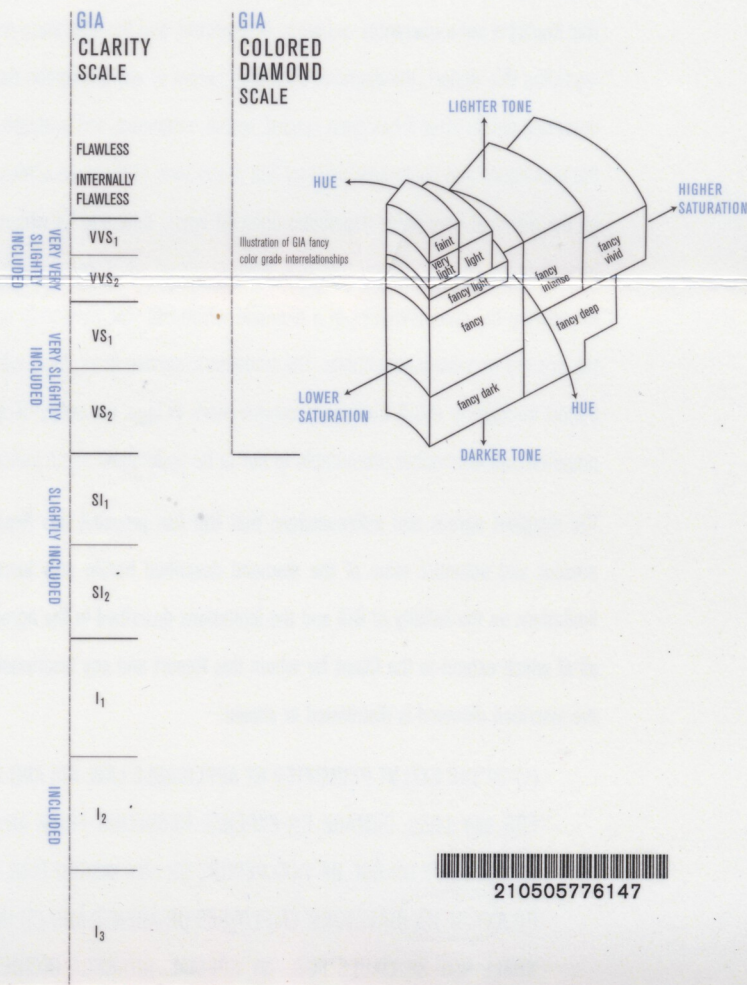
**GRADING RESULTS**

Carat Weight ..... **1.03 carat**  
Color  
Origin ..... **NATURAL**  
Grade ..... **FANCY DEEP GREENISH YELLOW**  
Distribution ..... **Even**  
Clarity Grade ..... **SI2**

**ADDITIONAL GRADING INFORMATION**

Finish  
Polish ..... Very Good  
Symmetry ..... Very Good  
Fluorescence ..... None  
Comments:  
Additional clouds are not shown.

**REFERENCE DIAGRAMS**



Profile not to actual proportions

**KEY TO SYMBOLS**

- Cloud
- Feather
- Crystal
- Needle

Red symbols denote internal characteristics (inclusions). Green or black symbols denote external characteristics (blemishes). Diagram is an approximate representation of the diamond, and symbols shown indicate type, position, and approximate size of clarity characteristics. All clarity characteristics may not be shown. Details of finish are not shown.

This Report is not a guarantee, valuation or appraisal and contains only the characteristics of the diamond described herein after it has been graded, tested, examined and analyzed by the laboratory providing this Report ("GIA") and/or has been inscribed using the techniques and equipment used by GIA at the time of the examination and/or inscription. Inscriptions reported in this document are not a guarantee, validation, or warranty of a diamond's quality, country of origin or source; or that the diamond will be identifiable by the inscription in the future (since inscriptions can be removed). GIA makes no representation concerning any trademark, word, or symbol which is inscribed by GIA or which is identified on this Report. The recipient of this Report may wish to consult a credentialed jeweler or gemologist about the information contained herein.



The security features in this document, including the hologram, security screen and microprint lines, in addition to those not listed, exceed document security industry guidelines.

**IMPORTANT LIMITATIONS ON BACK**  
©2008 GEMOLOGICAL INSTITUTE OF AMERICA, INC.



**GIA**  
GEMOLOGICAL INSTITUTE OF AMERICA®

5355 Armada Drive | Carlsbad, CA 92008-4602  
T: 760-603-4500 | F: 760-603-1814

**GIA Laboratories**  
Bangkok Carlsbad Gaborone  
Johannesburg Mumbai New York

www.gia.edu

**COLORED DIAMOND GRADING REPORT**

May 25, 2010

Shape and Cutting Style ..... **Emerald Cut**  
Measurements ..... 6.30 x 5.85 x 3.43 mm

GIA REPORT 5121069681

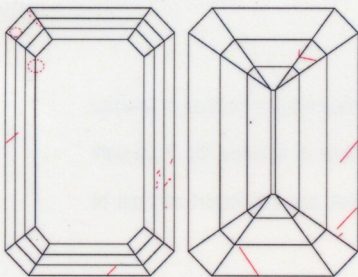
**GRADING RESULTS**

Carat Weight ..... **1.03 carat**  
Color  
Origin ..... **NATURAL**  
Grade ..... **FANCY DEEP**  
..... **GREENISH YELLOW**  
Distribution ..... **Even**  
Clarity Grade ..... **SI2**

**ADDITIONAL GRADING INFORMATION**

Finish  
Polish ..... Very Good  
Symmetry ..... Very Good  
Fluorescence ..... None  
Comments:  
Additional clouds are not shown.

**REFERENCE DIAGRAMS**



**KEY TO SYMBOLS**

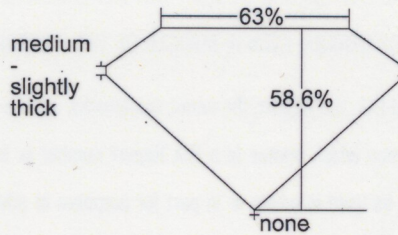
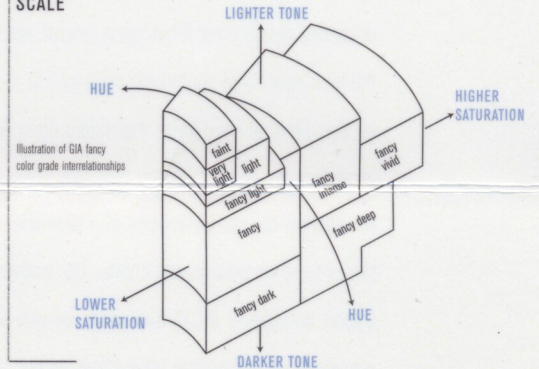
- Cloud
- Feather
- Crystal
- Needle

Red symbols denote internal characteristics (inclusions). Green or black symbols denote external characteristics (blemishes). Diagram is an approximate representation of the diamond, and symbols shown indicate type, position, and approximate size of clarity characteristics. All clarity characteristics may not be shown. Details of finish are not shown.

**GIA CLARITY SCALE**

- FLAWLESS
- INTERNALLY FLAWLESS
- VVS<sub>1</sub>
- VVS<sub>2</sub>
- VS<sub>1</sub>
- VS<sub>2</sub>
- SLIGHTLY INCLUDED
- SI<sub>1</sub>
- SI<sub>2</sub>
- I<sub>1</sub>
- I<sub>2</sub>
- I<sub>3</sub>

**GIA COLORED DIAMOND SCALE**



Profile not to actual proportions

This Report is not a guarantee, valuation or appraisal and contains only the characteristics of the diamond described herein after it has been graded, tested, examined and analyzed by the laboratory providing this Report ("GIA") and/or has been inscribed using the techniques and equipment used by GIA at the time of the examination and/or inscription. Inscriptions reported in this document are not a guarantee, validation, or warranty of a diamond's quality, country of origin or source; or that the diamond will be identifiable by the inscription in the future (since inscriptions can be removed). GIA makes no representation concerning any trademark, word, or symbol which is inscribed by GIA or which is identified on this Report. The recipient of this Report may wish to consult a credentialed jeweler or gemologist about the information contained herein.



The security features in this document, including the hologram, security screen and microprint lines, in addition to those not listed, exceed document security industry guidelines.

**IMPORTANT LIMITATIONS ON BACK**  
© 2008 GEMOLOGICAL INSTITUTE OF AMERICA, INC.



**GIA**  
GEMOLOGICAL INSTITUTE OF AMERICA®

5355 Armada Drive | Carlsbad, CA 92008-4602  
T: 760-603-4500 | F: 760-603-1814

**GIA Laboratories**  
Bangkok      Carlsbad      Gaborone  
Johannesburg      Mumbai      New York

www.gia.edu

**COLORED DIAMOND GRADING REPORT**

GIA REPORT 5121069681

May 25, 2010

Shape and Cutting Style ..... **Emerald Cut**  
Measurements ..... 6.30 x 5.85 x 3.43 mm

**GRADING RESULTS**

Carat Weight ..... **1.03 carat**  
Color ..... **NATURAL**  
Origin ..... **FANCY DEEP**  
Grade ..... **GREENISH YELLOW**  
Distribution ..... **Even**  
Clarity Grade ..... **SI2**

**ADDITIONAL GRADING INFORMATION**

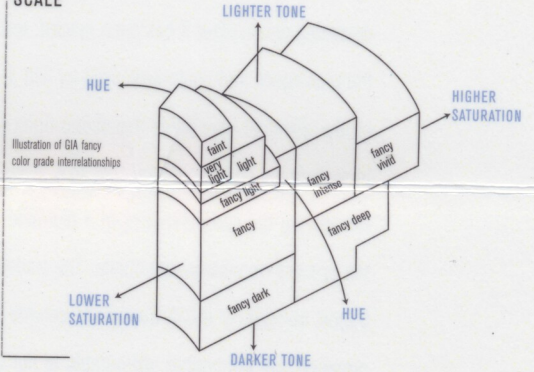
Finish  
Polish ..... Very Good  
Symmetry ..... Very Good  
Fluorescence ..... None  
Comments:  
Additional clouds are not shown.

**REFERENCE DIAGRAMS**

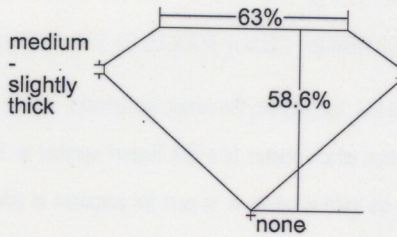
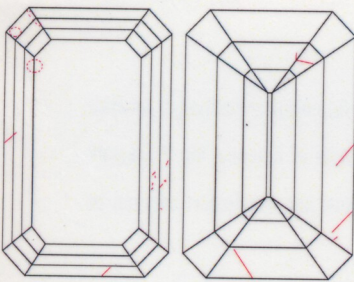
**GIA CLARITY SCALE**

- FLAWLESS
- INTERNALLY FLAWLESS
- VVS<sub>1</sub>
- VVS<sub>2</sub>
- VERY VERY SLIGHTLY INCLUDED
- VS<sub>1</sub>
- VS<sub>2</sub>
- VERY SLIGHTLY INCLUDED
- SI<sub>1</sub>
- SI<sub>2</sub>
- SLIGHTLY INCLUDED
- I<sub>1</sub>
- I<sub>2</sub>
- I<sub>3</sub>
- INCLUDED

**GIA COLORED DIAMOND SCALE**



210505776147



Profile not to actual proportions

**KEY TO SYMBOLS**

- Cloud
- Feather
- Crystal
- Needle

Red symbols denote internal characteristics (inclusions). Green or black symbols denote external characteristics (blemishes). Diagram is an approximate representation of the diamond, and symbols shown indicate type, position, and approximate size of clarity characteristics. All clarity characteristics may not be shown. Details of finish are not shown.

This Report is not a guarantee, valuation or appraisal and contains only the characteristics of the diamond described herein after it has been graded, tested, examined and analyzed by the laboratory providing this Report ("GIA") and/or has been inscribed using the techniques and equipment used by GIA at the time of the examination and/or inscription. Inscriptions reported in this document are not a guarantee, validation, or warranty of a diamond's quality, country of origin or source; or that the diamond will be identifiable by the inscription in the future (since inscriptions can be removed). GIA makes no representation concerning any trademark, word, or symbol which is inscribed by GIA or which is identified on this Report. The recipient of this Report may wish to consult a credentialed jeweler or gemologist about the information contained herein.



The security features in this document, including the hologram, security screen and microprint lines, in addition to those not listed, exceed document security industry guidelines.

**IMPORTANT LIMITATIONS ON BACK**  
©2008 GEMOLOGICAL INSTITUTE OF AMERICA, INC.